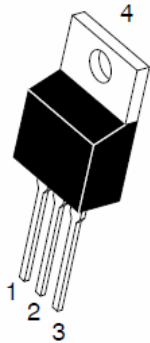
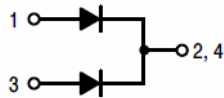


7 UHQFK 026 %DUULHU 6FKRWWN\ 5H

TO-220AB
TSR20L OCT



ITO-220AB
TSR20L OCTF



Features

- ‡ \$GYDQWUHQFK WHFKQRORJ\
- ‡ /RZRZDWRGWDJH GURS
- ‡ /RZRZDWRVHV
- ‡ +LJKILFLHQF\ RSHUDWLRO
- ‡ /HDGH)HLQLVK &R#6OLDQW

Applications

- ‡ '&' & RQYHUWHUV
- ‡ \$&' & \$GDSWRUV
- ‡ 6ZLWFKRZDSSOLHV
- ‡)UHHZKH'HLRQJ

Maximum ratings and electrical characteristics (T_J = 25°C unless otherwise noted)

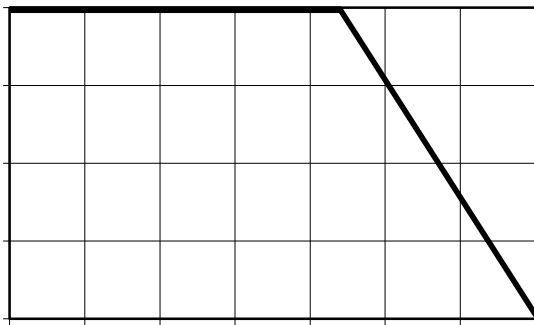
3DUDPHWHU		6\PERO	/LPLW	8QLW
0D[LPXPHSHVSHUNYHYURQHW DJH		9550		9
0D[LPXPHYUDRJDZDUG UFXEWHIHWG	GHYLFH SHGLRGH	,) \$9		\$
3HDN IRVZDUEBUHQW VLQDQH ZDYH VXSHULPSRVHGRFSGUDRCHG		,)60		\$
2SHUDMXQDQGRQWRUDJH WHPSHUDW	XUH 0DQJH	WR		f &
7\SLFNDKCHUPDO USHVULVQHDQFH	72 \$% ,72 \$%	5\$-&		f & : f & :
,QVWDQWDQHRXUWRDURZDUG SHGLRGH		9)	7 < 3	0\$;
	,) 3\$		7- f &	9
	,) 3\$		7- f &	
	,) \$		7- f &	
,QVWDQWDQHRXUUSHGMHRCWH UDWHYHYURQHW DJH	7- f &	,5		
	7- f &			P\$

1RWHV

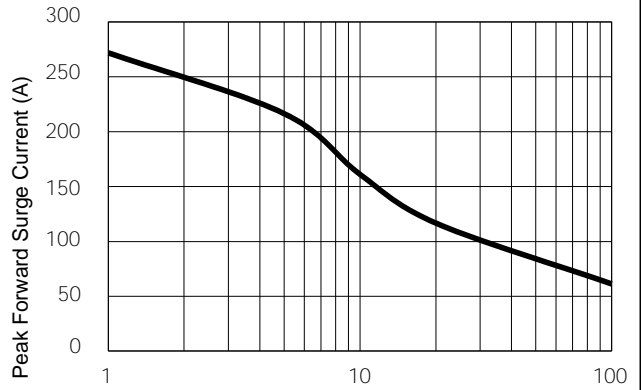
3XOVH WHVWSXOVH ZLGWK GXW\ F\FOH

3XOVH WHVW 3XOVH ZLGWK 0 PV

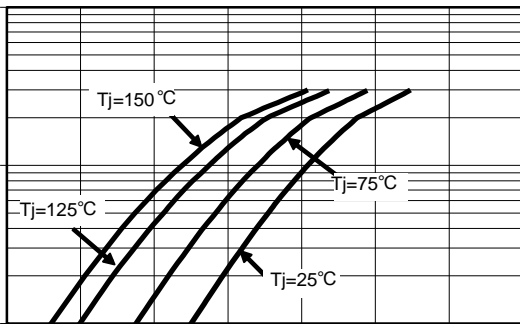
RATINGS AND CHARACTERISTICS CURVES (T_A = 25 °C unless otherwise specified)



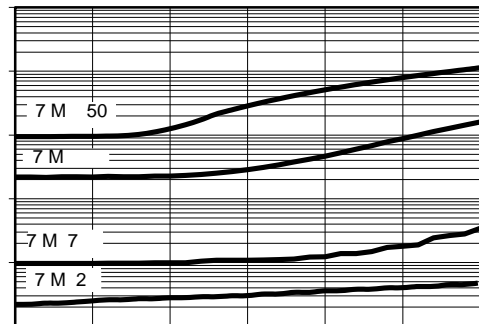
Current Derating, Case



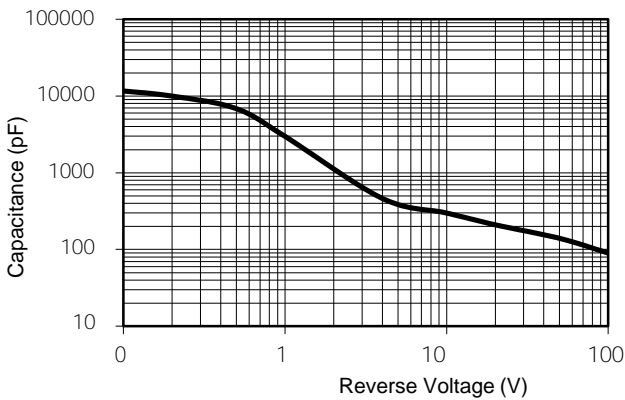
Maximum Repetitive Surge Current



Typical Forward Voltage

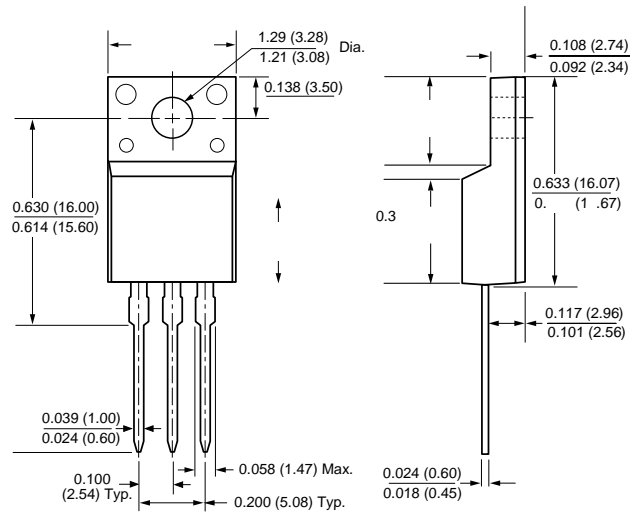


Typical Reverse Current



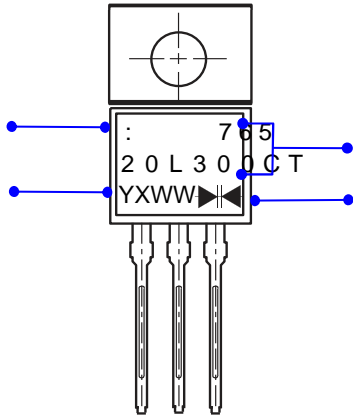
Typical Junction Capacitance

PACKAGE OUTLINE DIMENSIONS



TSR2 /30 CT

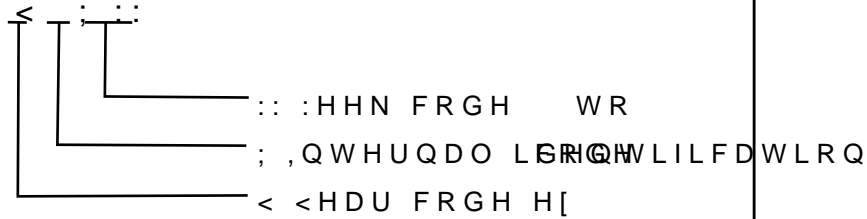
TSR2 /30 CTF



W : Company's trademark

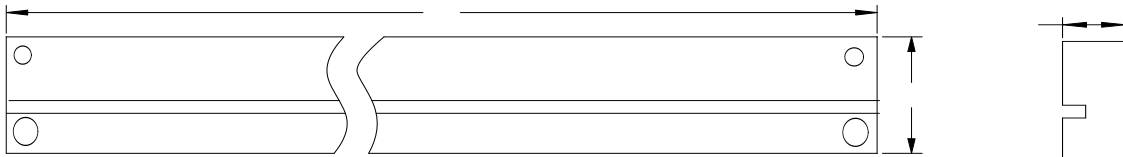
3URGXFW TBR2GHLG 00CT or TSR20L300

3' & LQIRUPDWLRQ



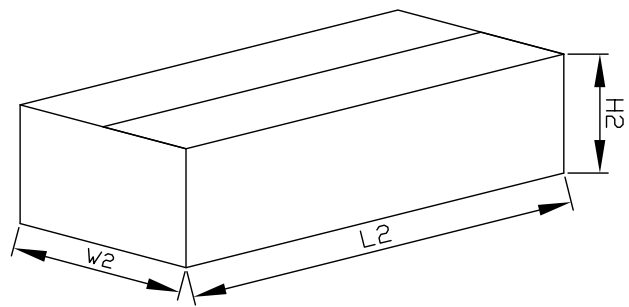
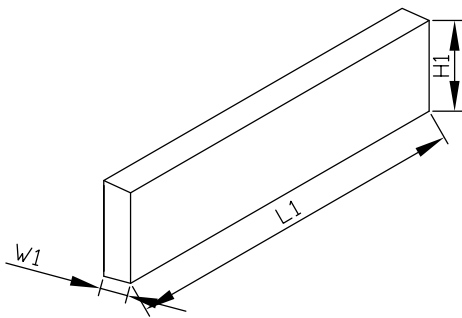
Double wafer

7XEH 'LPHQVLRQV



,QVLGH %R[

2XWVLGH %R[



12	81,	7XEH 'LPHQVLRQV			,QVLGH %R[2XWVLGH %R[
6L]H	PP	\$	%	&	/	:	+	/	:	+
		5	7	33	570	46	150	59	26	18
47<	3&6	3&6 7XEH			6PDO SHVWDJH3&6 2 WXEDWRWDO			3&6 FDUERGLWRWDO		
1RWH		7ROHUDQFH PP" PP			PP" PP			PP" PP		