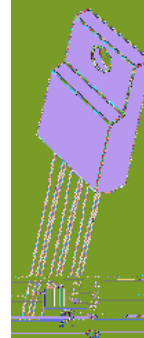


7 UHQFK 026 %DUULHU 6FKRWWN\ 5H

TO-220AB
TSR / &7



ITO-220AB
TSR / &7F





Features

- ‡ \$GYD QWUHQFK WHFKQRORJ\
- ‡ /RZRUZ YR GWDJH GURS
- ‡ /RZRZUR VHV
- ‡ +LJHILFLHQF\ RSHUDWLRO
- ‡ /HDGH)HLQLVK &R#6OLDQW

Applications

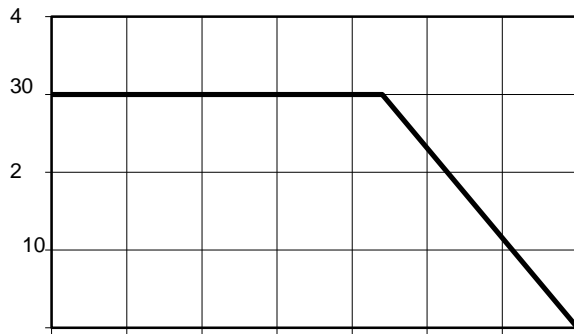
- ‡ '& '& &RQYHUWHUV
- ‡ \$\$ '&\$GDSWRUV
- ‡ 6ZLWFKRZHXSSOLHV
- ‡)UHHZKH'HLRQJ

Maximum ratings and electrical characteristics (T_J = 25°C unless otherwise noted)

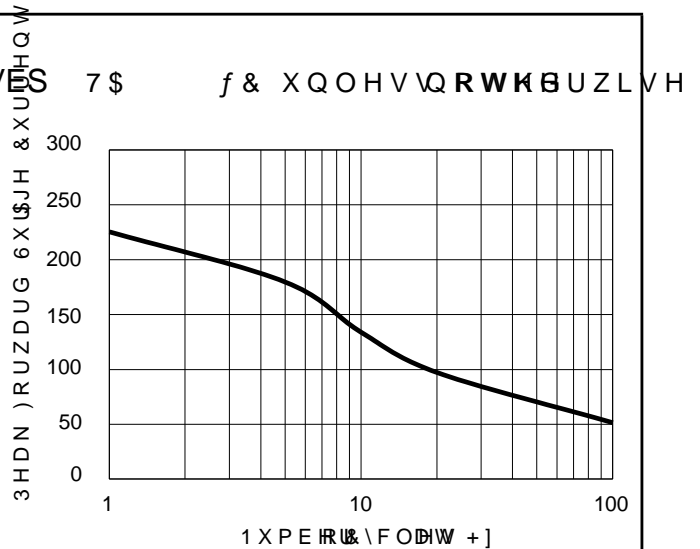
3DUDPHWHU		6\PERO	/LPLW	8QLW
0D[LXPXPHSHVSHUNYHYURQHW DJH		9550		9
0D[LXPYHURJHZDUG UFXEWHIHWG	GHYLFH	,) \$9		\$
	SHGLRGH			
3HDN IRVZDUEBUHQW VLQDOHQH ZDYH VXSHULPSRVHGRSGLDVGHG		,)60		\$
2SHUDMXQDQLRQWRUDJH WHPSHUDW		XUH 0DQJH	WR	f&
7\SLFVCHUPDO USHVULVQHDQFH	72 \$%	5\$-&		f& :
	,72 \$%			f& :
,QVWDQWDQHRXUWRUDUG SHGLRGH	,) \$	9)	7<3	0\$;
	,) \$		1	76
	,) \$		5	1.05
	,) \$		8	
,QVWDQWDQHRXUWHUWHU UDWHYHYURQHW DJH	7- f&	,5		X\$
	7- f&			P\$

1RWHV
3XOVH WHVWSXOVH ZLGWK GXW\FFOH
3XOVH WHVW 3XOVH ZLGWK 0 PV

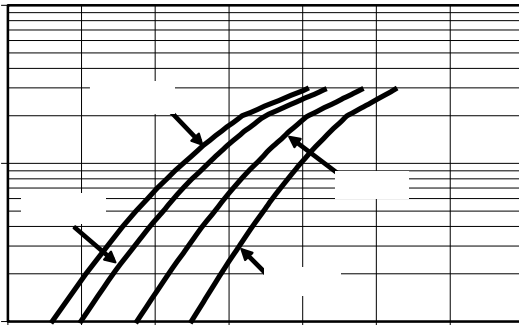
RATINGS AND CHARACTERISTICS CURVES



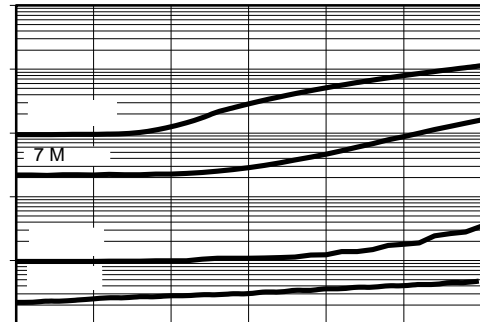
Current Derating, Case



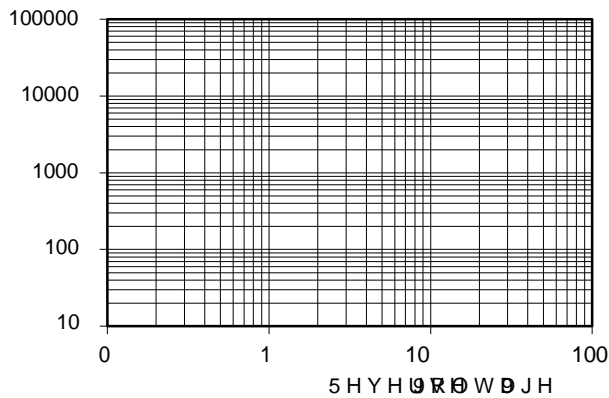
Maximum Repetitive Surge Current



Typical Forward Voltage

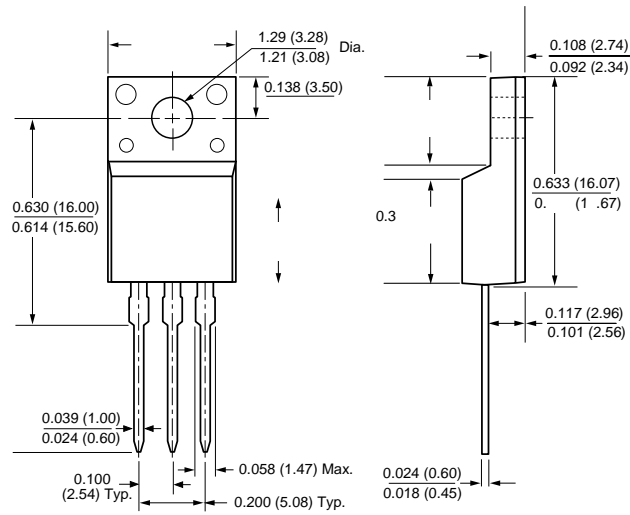


Typical Reverse Current

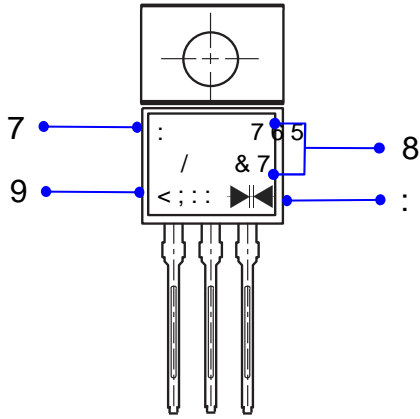


Typical Junction Capacitance

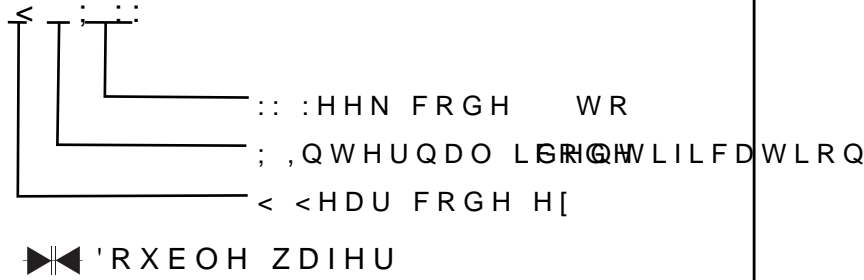
PACKAGE OUTLINE DIMENSIONS



0DUNLQJ ,QIRUPDWLRQ

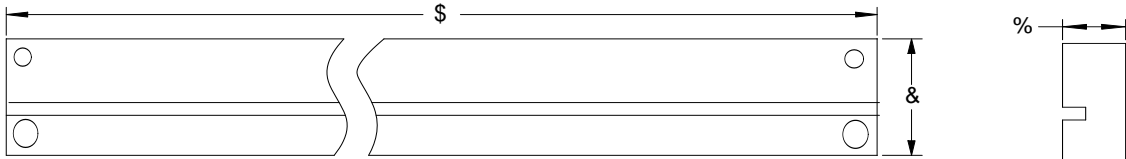


7 : &RPSDQ\ V WUDGHPDUN
 8 3URGXFW 765 / &7))
 9 3' & LQIRUPDWLRQ



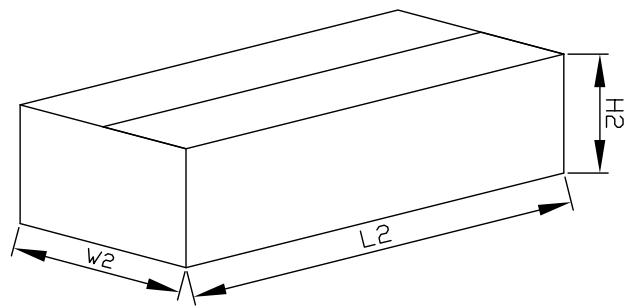
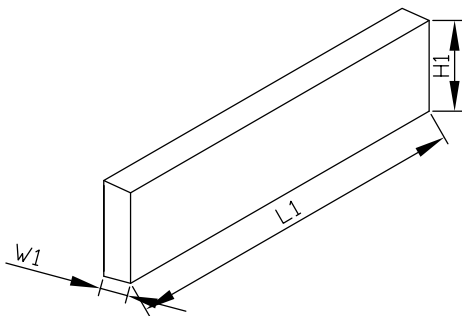
3DFNDJLQJ ,QIRUPDWLRQ

7XEH 'LPHQVLRQV



,QVLGH %R[

2XWVLGH %R[



3DFNDJLQJ ,QIRUPDWLRQ

12	81,	7XEH 'LPHQVLRQ			,QVLGH %R[2XWVLGH %R[
6L]H	PP	\$	%	&	/	:	+	/	:	+
47<	3&6	3&6 7XEH			6PDO SHVWDJH3&6 WXEOVRWDO			3&6 FDUERGLWRWDO		
1RWH	7ROHUDQFH PP" PP PP" PP PP" PP									