

7 UHQFK 026 %DUULHU 6FKRWWN\ 5H

TO-220AB
TSR / CT 6



ITO-220AB
TSR / CTF 6



Features

- ‡ \$GYDQWUHQFK WHFKQRORJ\
- ‡ /RZRUZDURGDWDJH GURS
- ‡ /RZRZURVVHV
- ‡ +LJKILFLHQF\ RSHUDWLRO
- ‡ /HDGH)HLQLVK &RPSOLDQW

Applications

- ‡ '&' & RQYHUWHUV
- ‡ \$&' & \$GDSWRUV
- ‡ 6ZLWFKRZDUXSSOLHV
- ‡)UHHZKHHLRGLJ

Maximum ratings and electrical characteristics (T_J = 25°C unless otherwise noted)

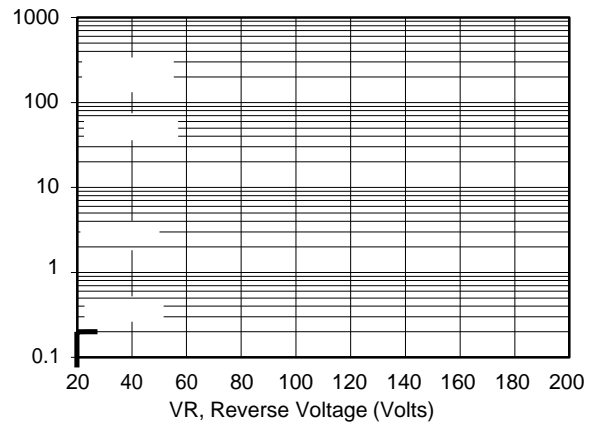
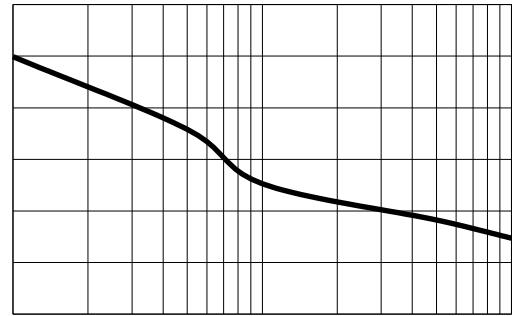
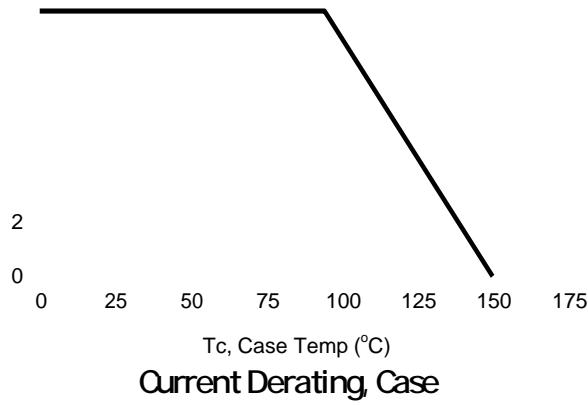
3DUDPHWHU	6\PERO	/LPLW	8QLW
0D[LPXPHSHVSHUNYHYURQHW DJH	9550		9
0D[LPXPHYUDRJRZDUG UFKUWHIOWGSHYLFH ,) \$9			\$
3HDN IRVZDURBUHQW VLKDOHQH ZDYH VXSHULPSRVHGRSGLDRVGHG	,)60	5	\$
2SHUDMXQDQGRQWRUDJH WHPSHUDW XUHURDJH WR			f&
7\SLFVCHUPDO USHVULVQHDQFH	72 \$% ,72 \$%		f& : f& :
,QVWDQWDQHRXURWRUJZDUG SHGLRGH	9)	7<3	0\$;
,QVWDQWDQHRXUUSHQWRUWH UDWHYHYURQHW DJH	,5		X\$
			P\$

1RWHV
3XOVH WHVVSXOVH ZLGWK GXW\F\FOH
3XOVH WHVW 3XOPVH ZLGWK 0

RATINGS AND CHARACTERISTICS CURVES

75

f & X Q O H V Q R W K B U Z L V H

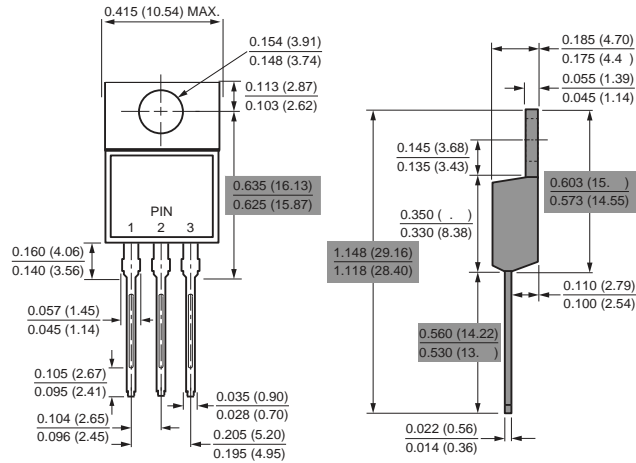


Typical Junction Capacitance

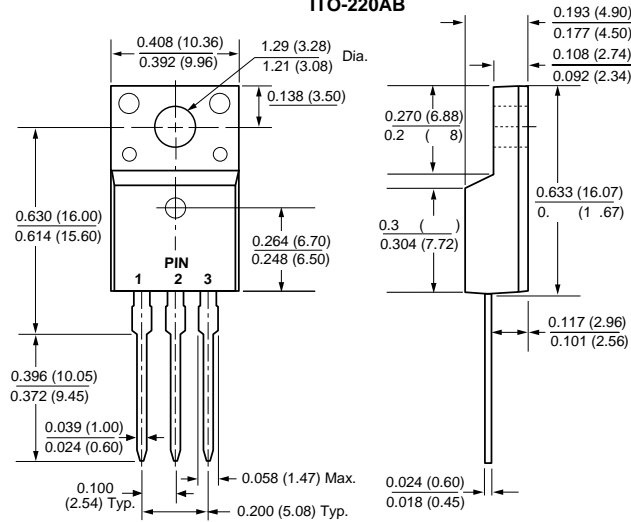
PACKAGE OUTLINE DIMENSIONS

1 R W H X Q L W , Q P P

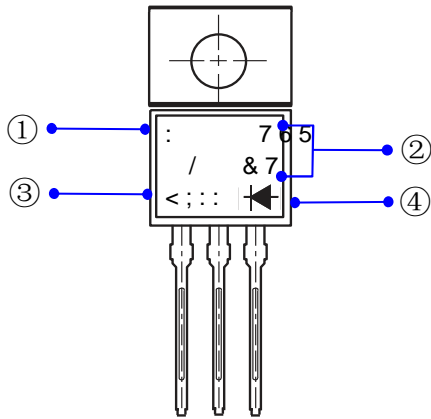
TO-220AB



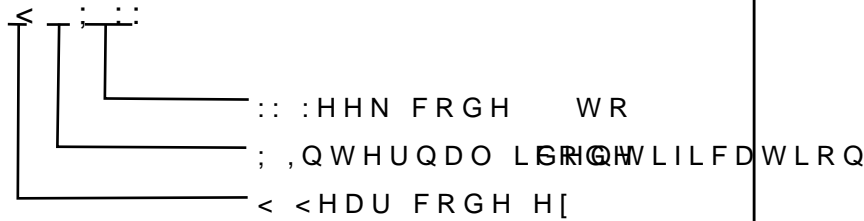
ITO-220AB



Marking Information



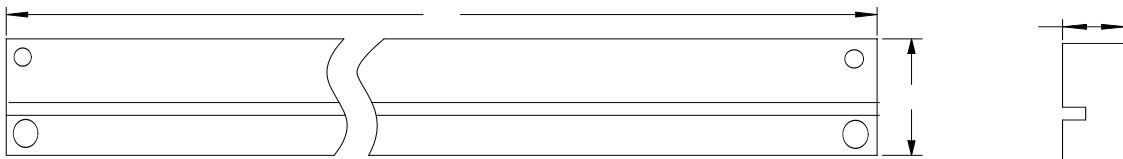
- ①
- ② 3URGXFW 765GHO&7RU 765 / &7)
- ③ 3'& LQIRUPDWLRQ



- ④ 6LQJZDIHU

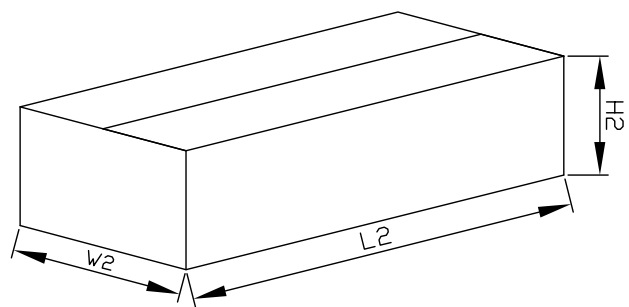
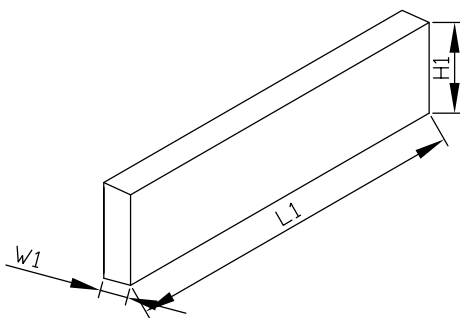
Packaging Information

7XEH 'LPHQVLRQV



,QVLGH %R[

2XWVLGH %R[



Packaging Information

12	81,	7XEH 'LPHQVLRQV			,QVLGH %R[2XWVLGH %R[
6L]H	PP	\$	%	&	/	:	+	/	:	+
47<	3&6	3&6 7XEH			6PDO&7RU 765GHO&7RU 765			3&6 FDU&RQWLILFDWLRQ		
1RW	H	7ROHUDQF&RQWLILFDWLRQ			PP" PP			PP" PP		