

## Special For DC-AC Rectifier Bridge

### Features

- Compliant with RoHS Provisions
- Low forward voltage, high forward current
- High forward surge current capability
- High heat-conducting performance
- Thermal welding performance:  
260 °C/10sec

### Applications

- Switching Power Supply
- Home Appliances, Office Devices
- Industrial Auto-equipments

### PINNING

PIN	DESCRIPTION
1	Input Pin ( ~ )
2	Input Pin ( ~ )
3	Output Anode ( + )
4	Output Cathode ( - )

	$V_{RRM}$		V
Maximum RMS voltage	$V_{RMS}$		V
Maximum DC Blocking Voltage	$V_{DC}$		V
Average Rectified Output Current	$I_o$	10.0	A
Peak Forward Surge Current 8.3 ms Single Half Sine Wave Superimposed on Rated Load(JEDEC Method)	$I_{FSM}$	200	A
$I^2 t$ rating for fusing ( 1ms < t < 8.3 ms)			
Maximum Forward Voltage at 5.0 A	$V_F$	1.25	V
			$\mu A$
Junction to ambient without heatsink Junction to case, with heatsink			
Operating and Storage Temperature Range	$T_j, T_{stg}$	-55 ~ +150	°C

## RATINGS AND CHARACTERISTICS CURVES (TA = 25 °C unless otherwise noted)

Fig.1: Current Derating Curve

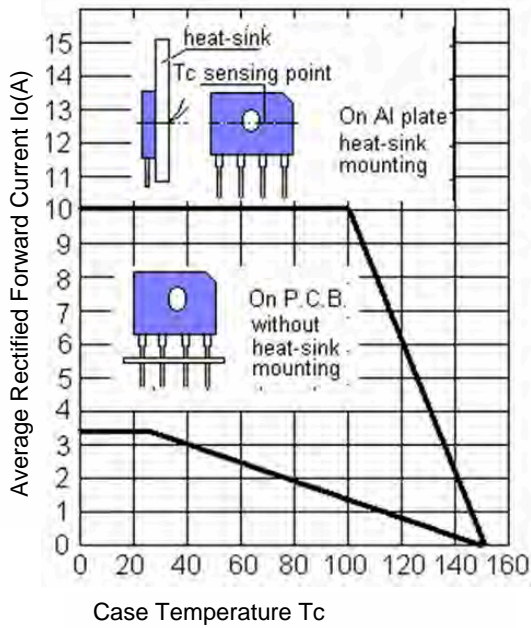


Fig.3: Max. Surge Current

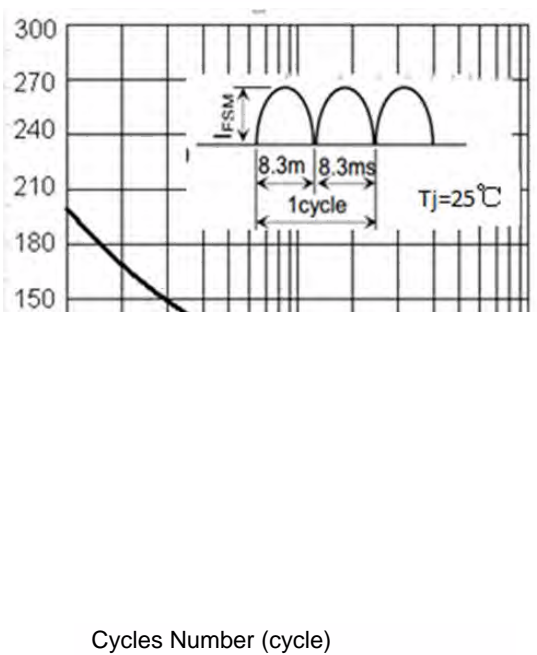


Fig.2 Typical Reverse Characteristics

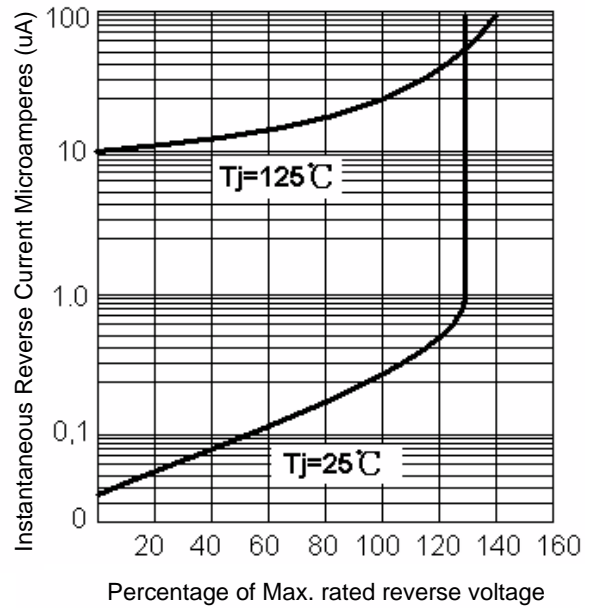


Fig.4: Rated Forward Features

Forward Current  $I_F$  A

Forward Voltage  $V_F$  V

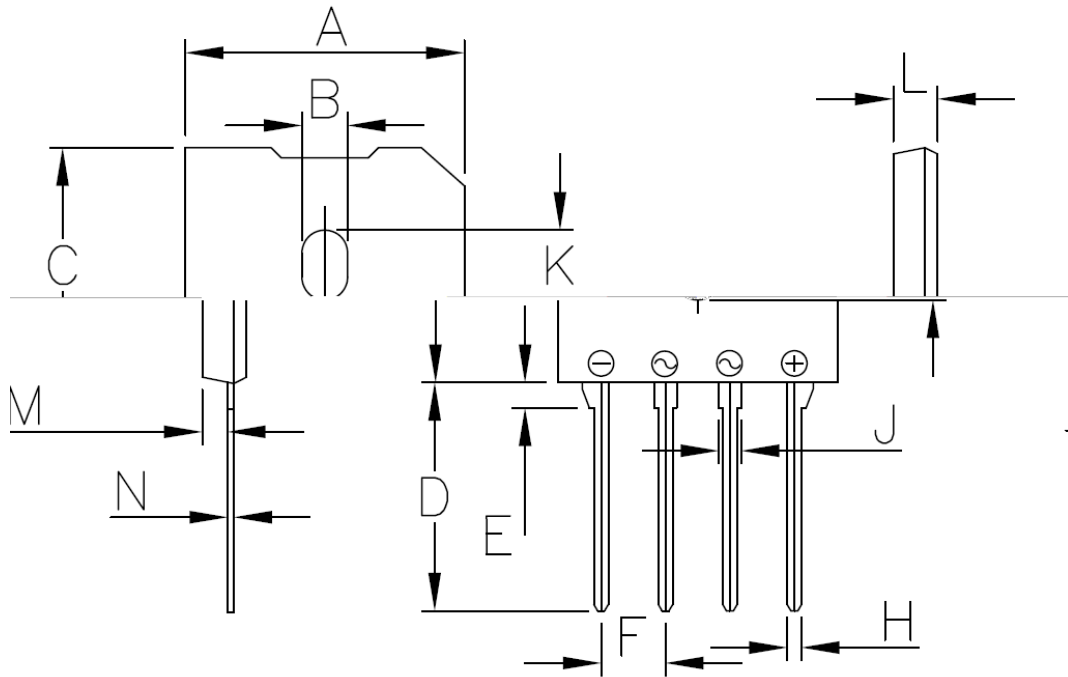


# GBU1006E50

23-NOV-2020

## PACKAGE OUTLINE DIMENSIONS

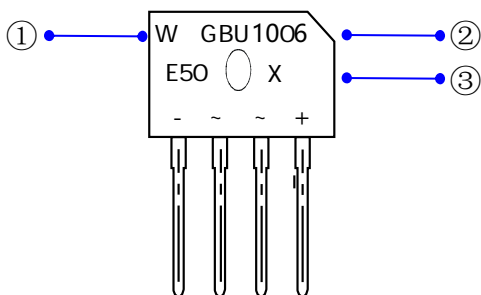
Note:unit mm(inch)



GBU mechanical data: unit mm(inch)

Unit		A	B	C	D	E	F	H	J	K	L	M	N
mm	max	22.3	4.1	18.8	18.5	2.1	5.43	1.15	2.24	5.6	3.6	2.3	0.6
	min	21.7	3.5	18.2	17.5	1.5	4.73	0.85	1.64	5.1	3.2	1.8	0.4
inch	max	0.88	0.17	0.74	0.73	0.09	0.22	0.045	0.09	0.22	0.15	0.09	0.03
	min	0.85	0.13	0.71	0.68	0.06	0.18	0.033	0.06	0.20	0.12	0.07	0.015

## Marking Information



W : Company's trademark

Product model : GB

PDC information

Y X WW

WW:Week code(01 to 53)

X:Internal identification code

Y:Year code(ex:0=2020)